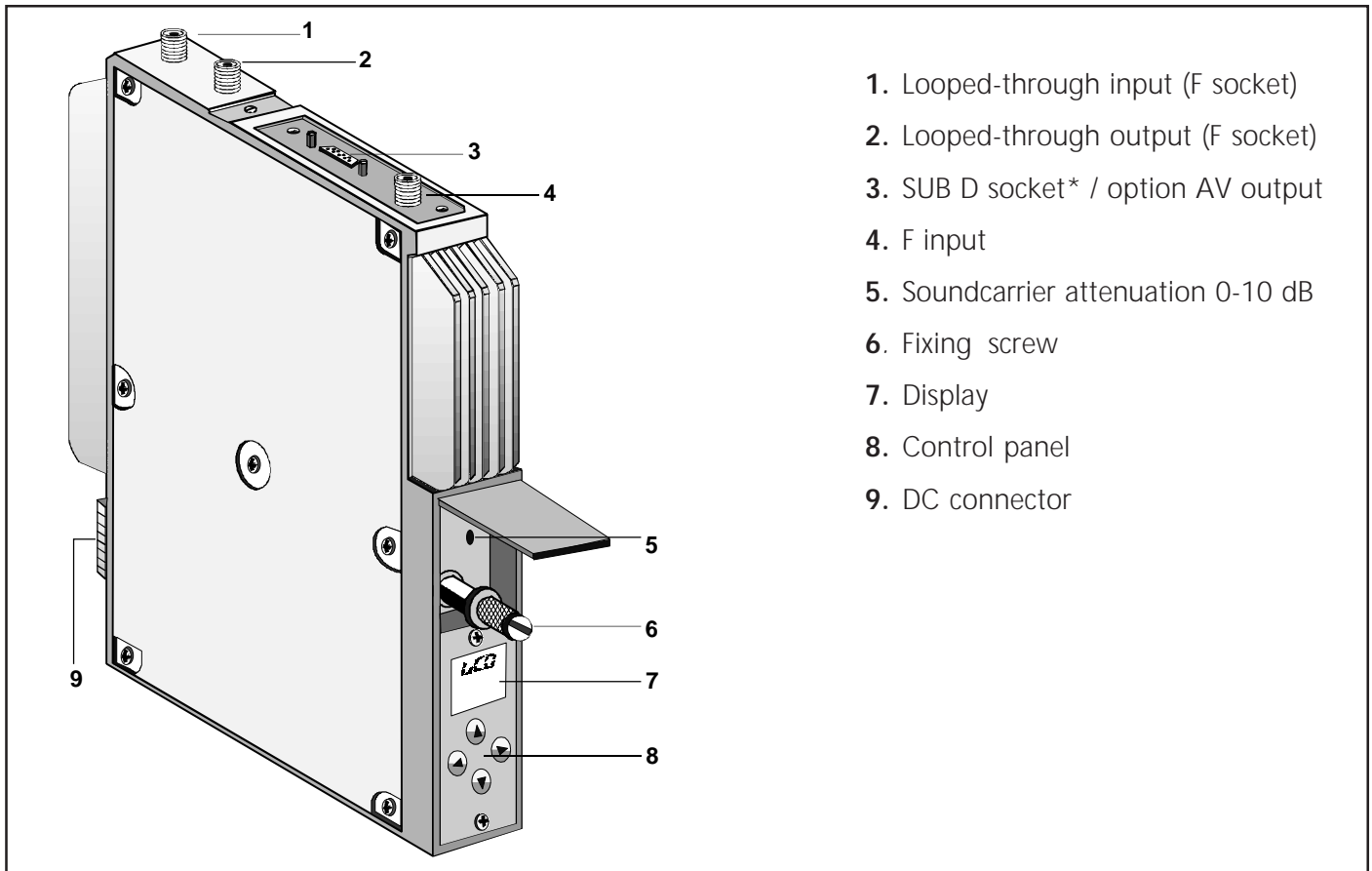


PRODUCT-INFORMATION



OV 42A FM Radio channel processor

- Conversion of four analogue FM radio channels in four other FM radio channels
- Input frequency range 87.5 - 108 MHz
- Output frequency range 87.5 - 108 MHz
- Four-key control panel
- LCD display
- Connection facility for OV head-end controller



... a link to the future



OV 42A FM channel processor

Technical specifications

Input

Input level	50 - 90 dB μ V
Input frequency	87.5 - 108 MHz
Input return loss	≥ 8 dB
Frequency range	in 50 kHz steps

Output

Output level adjustable	64 - 74 dB μ V \pm 1 dB
Output frequency	87.5 - 108 MHz
Return loss	≥ 14 dB
Frequency stability	typ. \pm 5 kHz
Adjacent channel suppression	≥ 60 dB

General specifications

Signal-to-noise ratio	typ. 60 dB
Distorsion (40 kHz deviation)	< 0.2 %
RF Sockets	F / 75 Ω
Dimensions	30 x 264 x 199 mm



WILHELM SIHN JR. KG
Empfangs- und Verteiltechnik
P.O. BOX 1220, D-75223 Niefern-Oeschelbronn Germany
Phone +49 7233 66 280, Fax - 66 350 / <http://www.wisi.de>

... a link to the future

Technische Änderungen vorbehalten.
Technical modifications reserved.
Modifications techniques réservées.